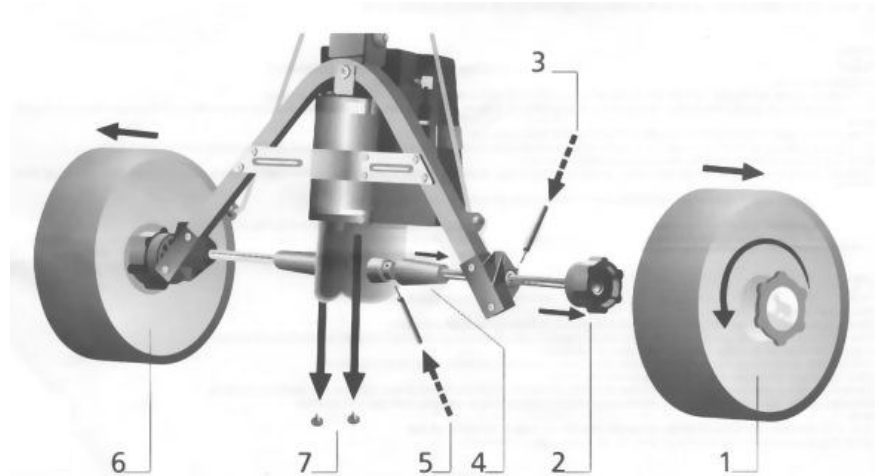


## Hill Billy Spare Parts: *Fitting Instructions— Gearbox*

Please read these instructions carefully. Return faulty parts that are under warranty.

1. Remove one wheel.
2. Pull the clutch off the spindle. The clutch is located on the hub of the wheel and is accessible once the wheel is removed.
3. A steel pin through the spindle, approximately 30mm long, is revealed when the clutch is removed. Using a hammer and punch, knock out the pin.
4. Slide the two cone shaped covers away from either side of the gearbox.
5. On one side of the gearbox another similar pin can be found, although this one is flush with the gearbox spindle. Knock out this pin.
6. Withdraw the spindle by pulling on the wheel which is still attached to the trolley.
7. Remove the two screws and washers holding the gearbox to the motor. Note the flexible coupling, which is revealed when the gearbox is removed.
8. Fit the new unit and re-assemble, reversing this procedure, using the new fixings supplied.



### Notes:

- Leave the two screws holding the gearbox to the motor slightly loose until the spindle is re-fitted and secured.
- Remember to put the gearbox cones on the spindle as it is slid through the gearbox.