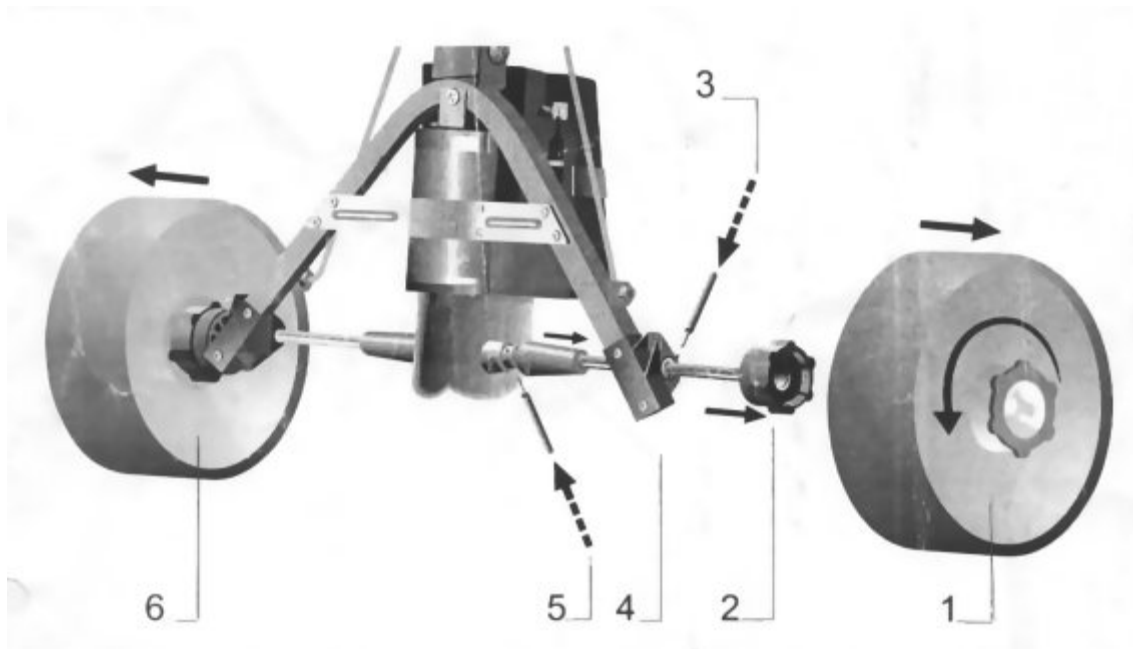


Hill Billy Spare Parts: *Fitting Instructions—Main Spindle*

Please read these instructions carefully. Return faulty parts that are under warranty.

1. Remove the wheels
2. Pull the complete wheel clutches off the spindle. The clutches are located on the axle next to the inner side of each wheel and are accessible once the wheel is removed. Note: The clutches will need to be put back on the same side of the trolley once the new spindle is fitted. The wheels themselves can be fitted to either side.
3. A steel pin through the spindle, approximately 30mm long, is revealed when the clutch is removed. Using a hammer and punch, knock out these pins (it may not be necessary to remove these pins if the spindle has broken in half).
4. Slide the two cone shaped covers away from either side of the gearbox.
5. On one side of the gearbox another similar pin can be found, although this one is flush with the Gearbox spindle. Knock out this pin.
6. Withdraw the old spindle.
7. Fit the new spindle and reassemble, reversing this procedure, using the new fixings supplied.



Notes:

- Loosen the two screws holding the gearbox to the motor slightly before fitting the new spindle. Remember to tighten them after it is fitted.
- Remember to put the gearbox cones on the new spindle as it is slid through the gearbox.