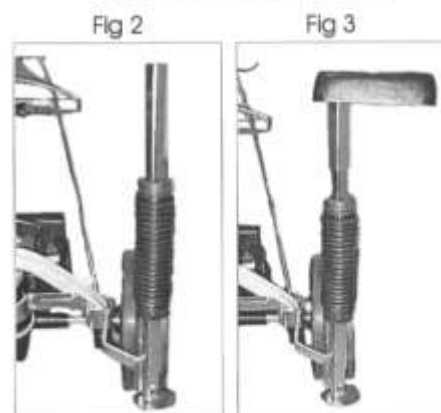
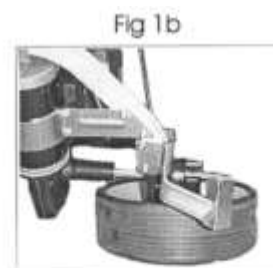
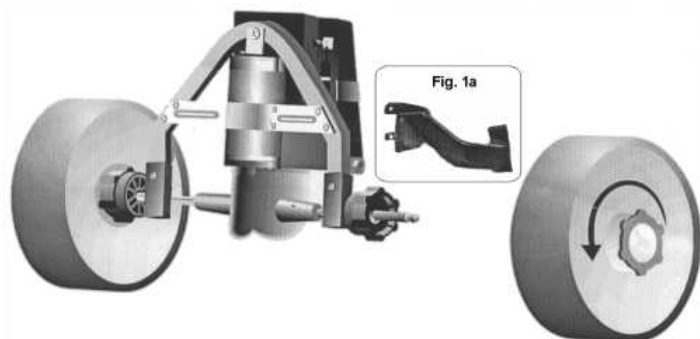


## Hill Billy Spare Parts: *Fitting Instructions—Seat Attachment, Compact Model*

Please read these instructions carefully. Return faulty parts that are under warranty.

### ONLY TO BE USED ON THE COMPACT

1. Remove right wheel (When facing bag carrier) and place under black bearing block (spindle).
2. Slide frame bracket (fig 1a & fig 1b) onto frame, above black bearing block, fitting around strain rod bracket. Re-fit wheel.
3. Insert the two bolts into holes provided on frame bracket and secure the nuts.
4. Slide seat stem into frame bracket (fig 2). Insuring stem foot is towards the ground.
5. Slide seat top onto seat stem (fig 3). With Hill Billy wording facing out.



**WARNING:** Do NOT sit on seat when trolley is in motion!